

Brevera[®] Breast Biopsy System with CorLumina[®] Imaging Technology



The Hologic Brevera[®] breast biopsy system with CorLumina[®] imaging technology delivers a breakthrough in biopsy efficiency.

It's the world's first* solution to combine vacuum-assisted tissue acquisition, real-time imaging,^{1,2} verification and advanced post-biopsy handling – all in one, integrated system.

The Brevera system is designed to streamline the entire breast biopsy process from start to finish – with realtime imaging for instant verification and automated specimen handling.^{1,2}

Brevera[®]
Breast Biopsy System



Improve the patient experience.

Fast, accurate and streamlined procedures mean less time under compression and can result in a more positive and compassionate biopsy experience for you and your patients.^{3,4}



Enhance workflow.

An intuitive user interface, real-time imaging, and automated specimen collection and separation work together to save facilities an average of 13 minutes per procedure.³



Increase accuracy.

Real-time imaging delivers a wealth of information at the point of care – so you can make informed clinical decisions with confidence.

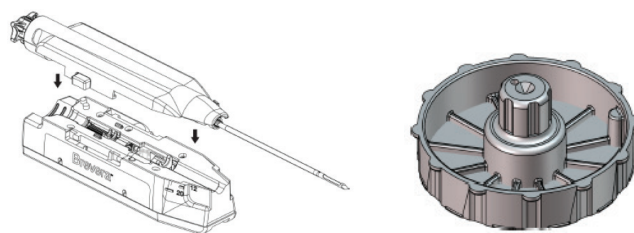
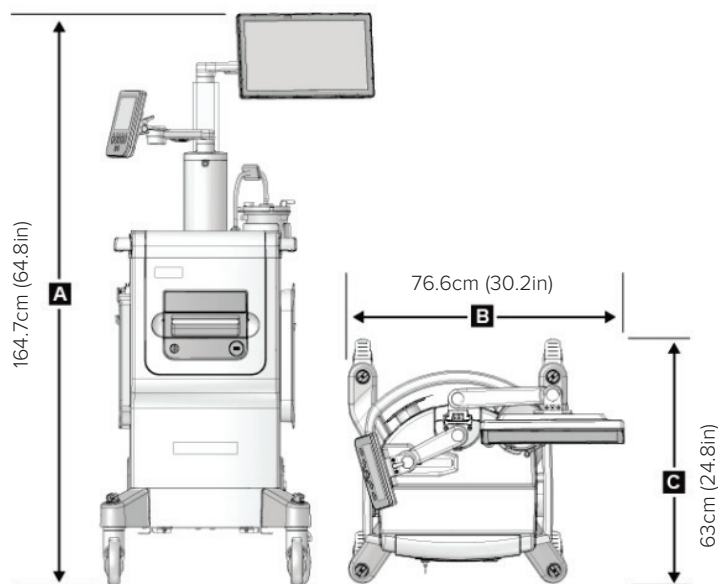
Technical Specifications^{2,5,6}

Brevera 200 Console	
Console dimensions	76.6 x 63 x 164.7cm (30.2 x 24.8 x 64.8in) WxDxH
Console weight	90.7kg (200lbs) nominal
Line current	5 Amps
Voltage range	220-240V
Operating frequency	50/60Hz
Power consumption	800W
Power cord length	6.1m (20ft)
Vacuum generated	66cm Hg (26.5in)
Cycle time	8 seconds for acquisition, imaging and verification

Console Control Display	
Display monitor	18cm (7in) LED display
Operating system	Embedded RTOS

X-ray Source	
Energy range	20-35 kV
Anode material	Tungsten (W)
Tube current	1 mA
Exposure	10 mAs maximum
Focal spot size	50 µm
Filtration	125 µm beryllium
Pixel size and output image	20 µm 12bit
Active imaging area	3.3 x 2.5cm (1.3 x 0.98in)

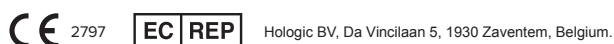
Acquisition Workstation/Specimen Imaging Display	
CPU	Multi-core Intel
Memory	4GB RAM
Solid state disk	500GB (approx. 10,000 patient files)
Storage media	External USB flash drive
Display monitor	38.1cm (15in) WXGA (1366x768) color LCD display, touchscreen
Operating system	Windows 10 IoT Enterprise 2019 LTSC
Network connection	100, 1000-Base-T; wireless 802.11 b/g/n/ac
DICOM services	Worklist, print, storage
User interface	On screen keyboard
Visualization enhancement	5 levels of image sharpening
Magnification	Continuous image zoom .075X-20X



Cabinet	
X-ray features	Drawer interlock, key switch, fully shielded
Indicators	Power, door closed, ready, X-ray on

Biopsy Device Components		
Reusable driver dimensions	5.6 x 19.6 x 4cm (2.2 x 7.7 x 1.6in) WxLxH	
Reusable driver weight	950g (34oz) with remote	
Biopsy Needle	5.6 x 2.4 x 3cm (2.2 x 8.8 x 1.2in) WxDxH	
Biopsy needle weight with tubing set	BREVDISPO7	320g (11.3oz) nominal
	BREVDISPO9	269.3g (9.5oz) nominal
Tissue filter diameter	6.1cm (2.41in)	
Disposable needle specifications	BREVDISPO7	7G, 13cm L 20mm or 12mm Aperture
	BREVDISPO9	9G, 13cm L 20mm or 12 mm Aperture

Breast & Skeletal Health | Hologic.com | euinfo@hologic.com



Brevera[®]
Breast Biopsy System

References: **1.** Hologic data on file, VAR-05326_002_01 Orion Subsystem Validation Report – Unmapped Requirements (DRD658). **2.** Hologic data on file MAN-07980-002 Rev 001 Brevera user manual **3.** Hologic data on file - MISC-07678-EUR-EN Rev 001 Brevera Pulse Wave 2 Report Inspired Insight 2019. **4.** Hologic data on file - MISC-07662-EUR-EN Rev 001 Foundational Research for Breast Imaging and Biopsy - Kadence - March 2015. **5.** Hologic data on file MAN-08714-002 Rev 001 Brevera 7G manual **6.** Hologic data on file MAN-07918-002 Rev 001 Brevera 9G manual.

*<https://www.prnewswire.com/news-releases/hologic-announces-availability-of-new-brevera-breast-biopsy-system-with-columina-imaging-technology-300511832.html>

DS-10225-EUR-EN Rev 003 © 2024 Hologic Inc. All rights reserved. Hologic, The Science of Sure, Brevera and associated logos are trademarks and/or registered trademarks of Hologic, Inc., and/or its subsidiaries in the United States and/or other countries. This information is intended for medical professionals and is not intended as a product solicitation or promotion where such activities are prohibited. Because Hologic materials are distributed through websites, eBroadcasts and tradeshows, it is not always possible to control where such materials appear. For specific information on what products are available for sale in a particular country, please contact your local Hologic representative or write to euinfo@hologic.com.